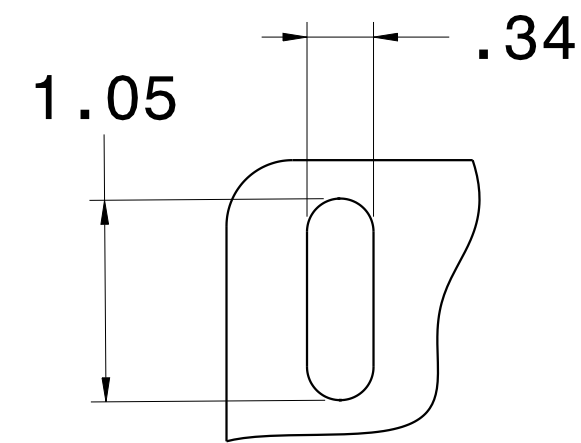
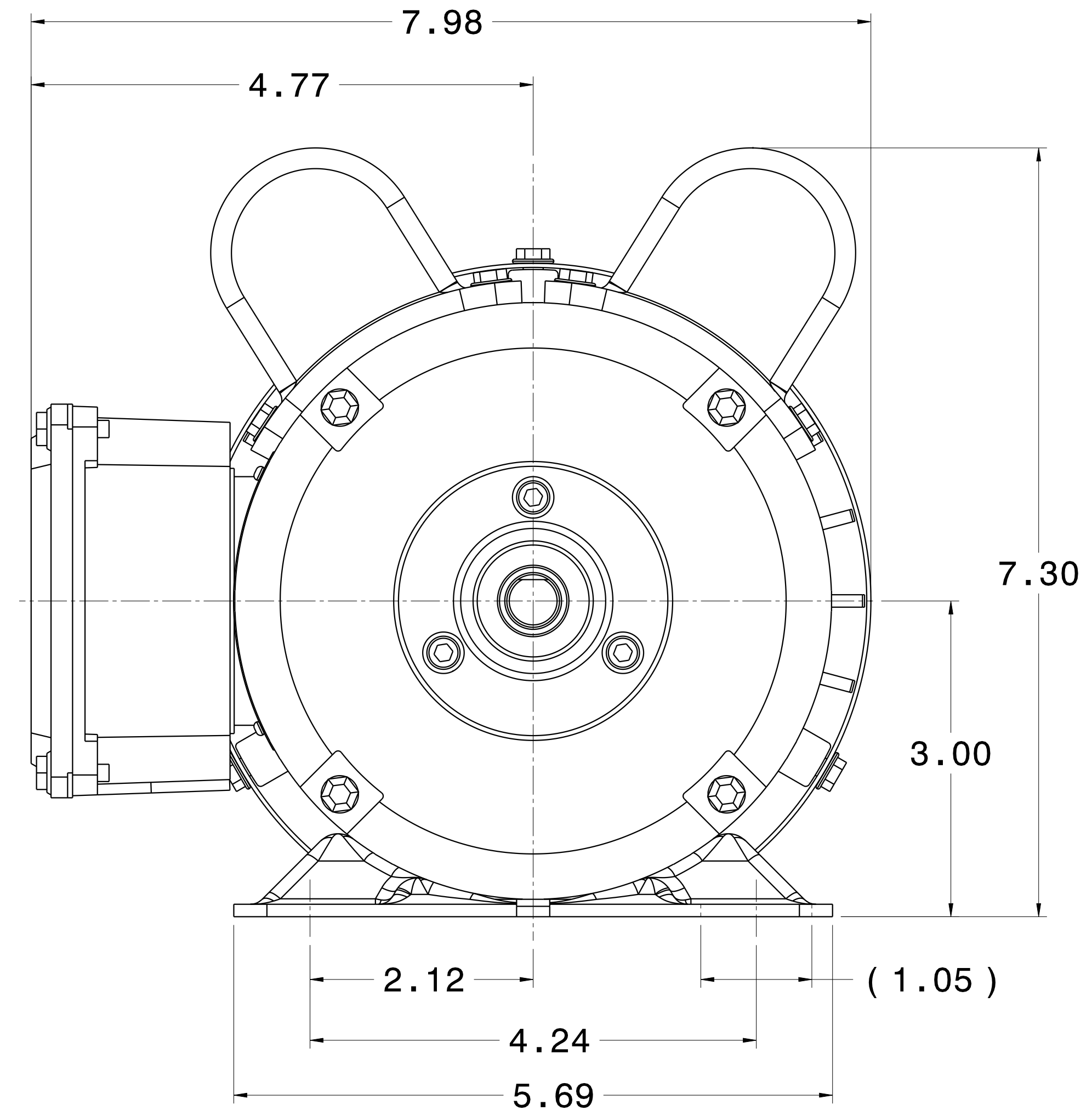
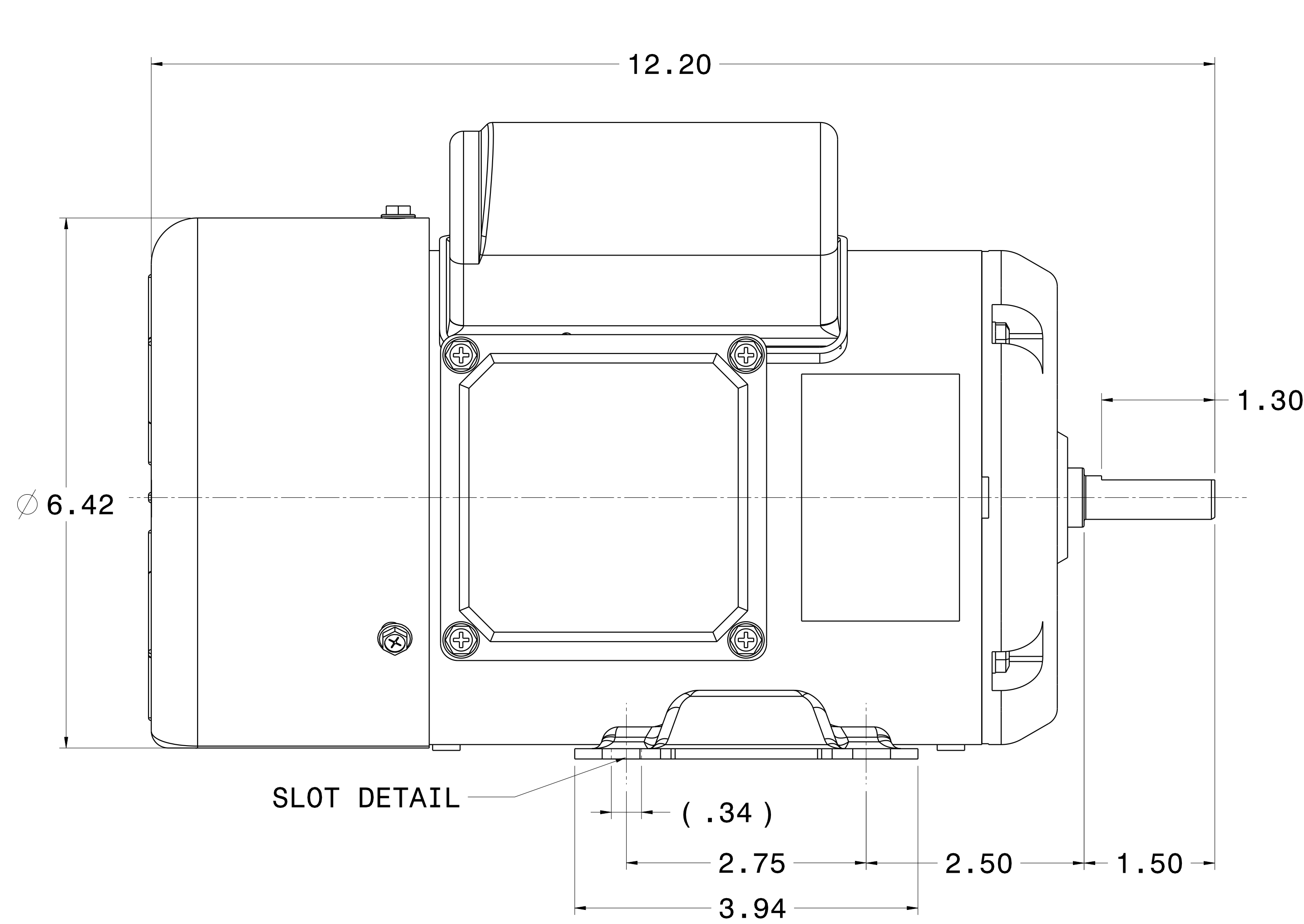
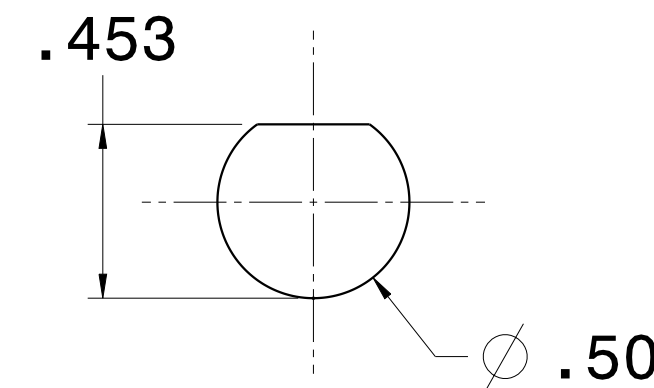


CATALOG #	TYPE	FRAME	OUTPUT		POLE	SYN. SPEED R.P.M.	VOLTAGE V.	Hz.	TIME RATING	INSULATION CLASS	SERVICE FACTOR	BEARINGS		WEIGHT LBS
			HP	KW								DE	NDE	
SPT0/72	BEGS39	48	3/4	.56	2	3600	115/208-230	60	CONT.	F	1.15	6203ZZ	6202ZZ	30

TOTALLY ENCLOSED FAN COOLED, SQUIRREL CAGE ROTOR



SLOT DETAIL
4X



SHAFT END
(ENLARGED VIEW)

NOTES:

1. DIMENSIONS IN INCH.
2. ENCLOSURE: IP44.
3. FOR BELT SERVICE OR DIRECT COUPLING SERVICE.
4. BI-DIRECTIONAL ROTATION.

REF: 3902R750KF10A	REV. DATA			REV NO
	TECO Westinghouse			01
	HVAC SINGLE PHASE OUTLINE DIMENSIONS		DWG NO. SPT0/72	
	DWN K. MILNER	081617	APPD T. FELPS	081617
TECO-WESTINGHOUSE MOTOR COMPANY			ROUND ROCK, TEXAS	USA